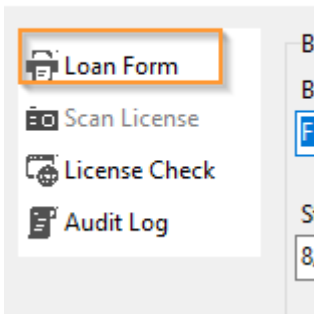


Loan car form

If a Loan Form has been configured in Loan Car Maintenance the form can be printed from the Loan Form button. The Loan Form will fill in the required fields and be displayed in Microsoft Word.

Workstations will require Microsoft Word for this feature to work

Loan Car Booking: 7287 (



COMPANY NAME

ADDRESS LINE 1
ADDRESS LINE 2
PHONE LINE 1
PHONE LINE 2
WEBSITE
EMAIL

VEHICLE EVALUATION FORM		Repair Order:	Evaluation Number:	374		
Vehicle Details						
Vehicle	silver captiva					
Colour						
Rego No.	1ddg726				Kms Out	
Details						
Date Out	20/02/2012				Date Due	20/02/2012
Time Out	07:00:00 AM				Time Due	12:00:00 PM
Fuel Rate						
Customer Details						
Name	Tristan Marlow				Address	
Phone No.						
Driver Details						
Name	Tristan Marlow	License No.	1234567			
Phone No.		License Exp.	25/02/2013			

The Dealer makes available to the customer a vehicle for evaluation purposes only on the terms and conditions described below.

1. RUNNING EXPENSES

The Customer agrees to pay for all fuel, oil, grease, tires, tubes and batteries used or required to keep the vehicle in proper running order whilst the Customer has possession of the vehicle. The Customer agrees to pay for all repairs made necessary by negligent use of the vehicle whilst the Customer has possession of same and the Customer agrees to indemnify The Dealer against the cost thereof

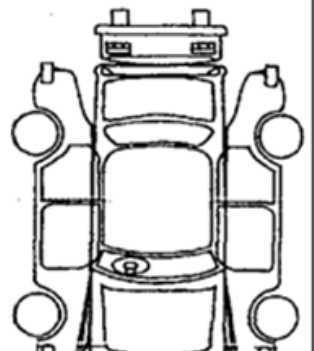
2. MAINTENANCE

The Customer agrees to keep and operate the vehicle in good and serviceable condition.

3. DUTIES OF THE CUSTOMER

The Customer will - Comply with all statutes, rules and regulations governing the use and driving the vehicle;

- Not allow the vehicle to be driven by any person not holding a full drivers license;
- Not part with possession of the vehicle;
- Not smoke in the vehicle;
- Not allow any animals in the vehicle;
- Not drive the vehicle or allow it to be driven in a careless, reckless or dangerous manner or by a person under the influence of intoxicating liquor or drugs;
- Not use the vehicle for purposes of hire;
- Be responsible for all fines resulting from Breaches of Traffic regulations incurred while the vehicle is in the care, custody and control of the Customer and will also



Revision #2

Created 2024-07-11 06:06:35 UTC by Tristan Marlow

Updated 2024-07-11 06:18:46 UTC by Tristan Marlow